

AQUA COOLER®



PB1

BENCH TOP

POINT - OF - USE WATER COOLER

MODEL

PB1 -COOK & COLD, BLACK/SOFT GREY

FEATURES

Suits most modern offices or domestic applications.

Reliable, safe and efficient.

Easy to clean, sanitise and services.

"Whisper" quiet operation.

Compressor driven for optimal performance.

PROUDLY AUSTRALIAN MADE.

CONTACT

AQUA COOLER PTY LIMITED
161 ORCHARD ROAD
CHESTER HILL NSW 2162 AUSTRALIA

TEL: (02) 9721 9333

FAX: (02) 9721 9344

EMAIL: sales@aquacooler.com.au
coolers@aquacooler.com.au

DRINKING WATER CHILLED TO PERFECTION
Visit www.aquacooler.com.au

AQUA COOLER®

WATER RESERVOIR

The PB1 has a stainless steel tanks, which holds approximately 1.8 litres of chilled water during normal usage. It has a chilling capacity of 5 litres per hour during peak periods.

REFRIGERATION

The system PB1 uses 82 Gms of refrigerant R134A, which is non-toxic, non-flammable and non-ozone depleting. Refrigerant flow is controlled by a capillary tube, which has no moving parts.

TEMPERATURE CONTROL

The thermostats are factory pre-set.

COMPRESSORS

1/16 h.p. capacity, 49 watts. The compressor is hermetically sealed for silent running.

CONDENSER

All copper tube and aluminium fin construction.

ELECTRICAL

240 volts, 50Hz. A 2 metre house cable and 3 pin plug are supplied. Full load current is 0.81amps.

PERFORMANCE TO ARI 1010-94 STANDARD

Inlet water - 26.7°C
Outlet water - 10°C
Ambient Air - 32.2°C

WEIGHT - PACKED

PB1 - 14kg

DIMENSIONS - PACKED

Width - 295mm
Depth - 372mm
Height - 260mm

Container Capacity
20ft - 760 units
40ft - 1520 units

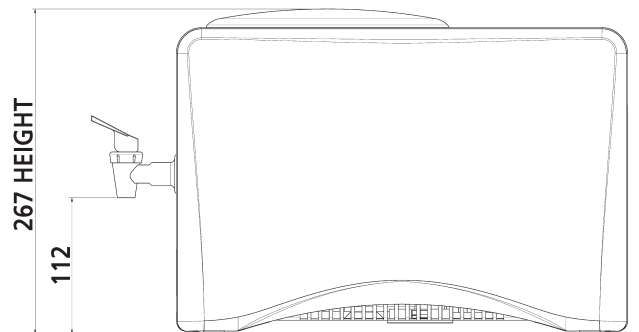
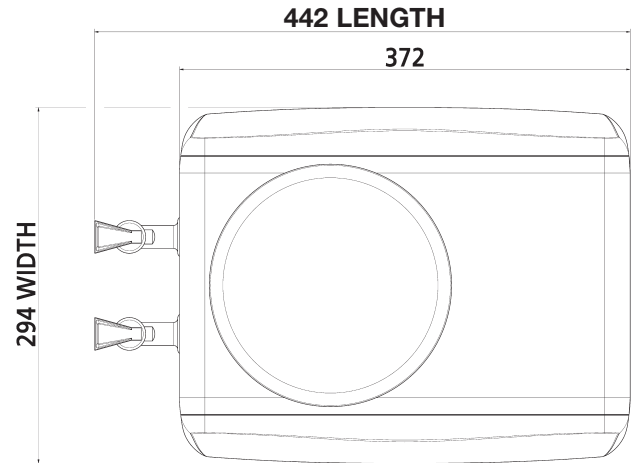
WARRANTY

Twelve months comprehensive coverage.
Five years for compressor replacement.



DISTRIBUTED BY

PB1 BENCH TOP



OTHER FEATURES

Minimum Operating Pressure - 100kpa.

Maximum Operating Pressure - 700kpa.

We recommend a 350kpa pressure reduction valve fitted prior to the coolers.

All food grade materials.

Automatic refill function using quality reliable float valve assembly.