

AQUA COOLER®

WR45

WALL REMOTE



WALL REMOTE DRINKING WATER COOLER

MODEL

WR45 WALL REMOTE
WATER COOLER

SUITABLE FOR
CONNECTION TO
TWO TAPS

FEATURES

- Heavy duty capacity
- “Out of the way” water cooler
- Very versatile – can be installed in roof
- Extremely robust
- Easily serviced
- Ideal for factories
- PROUDLY AUSTRALIAN MADE

CONTACT

AQUA COOLER PTY LIMITED
161 ORCHARD ROAD
CHESTER HILL NSW 2162 AUSTRALIA

TEL: (02) 9721 9333
FAX: (02) 9721 9344

EMAIL: sales@aquacooler.com.au
coolers@aquacooler.com.au

DRINKING WATER CHILLED TO PERFECTION
Visit www.aquacooler.com.au

AQUA COOLER®

WATER RESERVOIR

A 2 litre tank is incorporated within the chilling chamber to meet peak usage periods. The tank is made from hard drawn copper which has been tin plated for safety. The chilling capacity is 26 litres per hour .

REFRIGERATION

The system uses 275gms of refrigerant R22. It is non-toxic, non-flammable and environmentally sympathetic.

WATER CONNECTIONS

Water Inlet – 6.4mm (1/4") copper tube
Water Outlet – 6.4mm (1/4") copper tube

THERMOSTAT CONTROL

The thermostat is factory pre-set.

COMPRESSOR

1/4 hp capacity, 370 watts.
The compressor is hermetically sealed for silent running.

CONDENSER

The condenser is of copper and expanded aluminium fin.

ELECTRICAL

240 volts, 50Hz. A 2 metre house cable and 3 pin plug is supplied. Full load current is 2.69 amps.

PERFORMANCE TO ARI 1010-94 STANDARD

Water Inlet – 26.7°C
Water Outlet – 10°C
Ambient Air – 32.2°C.

WEIGHT – PACKED

33kgs

DIMENSIONS – PACKED

50cm long x 20cm wide x 60cm high

WARRANTY

Twelve months comprehensive coverage.
Five years for compressor replacement

INSTALLATION NOTE

The unit must be installed vertically and there must be a 75mm clearance on all sides to facilitate air flow. Water fittings are supplied.

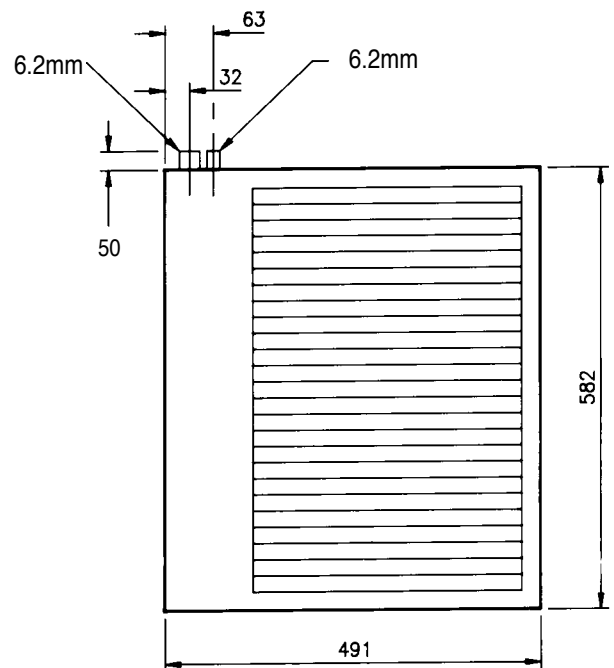


DISTRIBUTED BY

WR45

WALL REMOTE

DRINKING WATER COOLER



DEPTH = 190

FRONT VIEW

OTHER FEATURES

Ideal in factories where forklifts and trolleys are used

Used in the Aqua Cooler "IBWR"

Heavy duty construction

Water connections provided