

AQUA COOLER®

C-155 FILTER BOTTLE



TRI-STAGE FILTER BOTTLE

MODEL

C-155 - TRI-STAGE FILTER BOTTLE
C-159 - TRI-STAGE REPLACEMENT
FILTER CARTRIDGE

FEATURES

- Suits all Aqua Cooler bottle coolers
- Contemporary design to suit all environments
- Easy to clean & sanitise
- Simple filter changes
- Convenient alternative to bottled water
- Filtration system contains natural sediments including unique ceramic dome
- PROUDLY AUSTRALIAN MADE

CONTACT

AQUA COOLER PTY LIMITED
161 ORCHARD ROAD
CHESTER HILL NSW 2162 AUSTRALIA

TEL: (02) 9721 9333
FAX: (02) 9721 9344

EMAIL: sales@aquacooler.com.au
coolers@aquacooler.com.au

DRINKING WATER CHILLED TO PERFECTION
Visit www.aquacooler.com.au

AQUA COOLER®

FILTER BOTTLE

An inexpensive filtration system which allows you to enjoy filtered water with the convenience of a bottle water cooler. Designed to suit any Aqua Cooler Bottle Water Cooler, this new Tri-Stage Filter Bottle is the smart way to have clean, pure, filtered drinking water.

FLOAT ASSEMBLY

The slim line float assembly at the base makes the filter bottle compatible for all Aqua Cooler Bottle Water Coolers.

FILTRATION COMPONENTS

The Tri-Stage filter is composed of an activate carbon block, corallite and a ceramic dome, each stage containing natural sediments and minerals uniquely designed to reduce impurities in the water including chlorine, odour, rust, microbes and many others.

FILTRATION PARAMETRES

Activate Carbon – 0.3 millimetres
 Corallite – 20-40 millimetres
 Mineralisation – Release microelement
 Ceramic Dome – Micron rating is 10-55 microns

FILTRATION CAPACITY

The filter cartridge is certified for 2000L and it is recommended that filters are replaced every 3 months.

BOTTLE CAPACITY

The C-155 filter bottle is able to hold up to 8 litres of water.

DIMENSIONS

Width – 315mm
 Depth – 315mm
 Height – 340mm

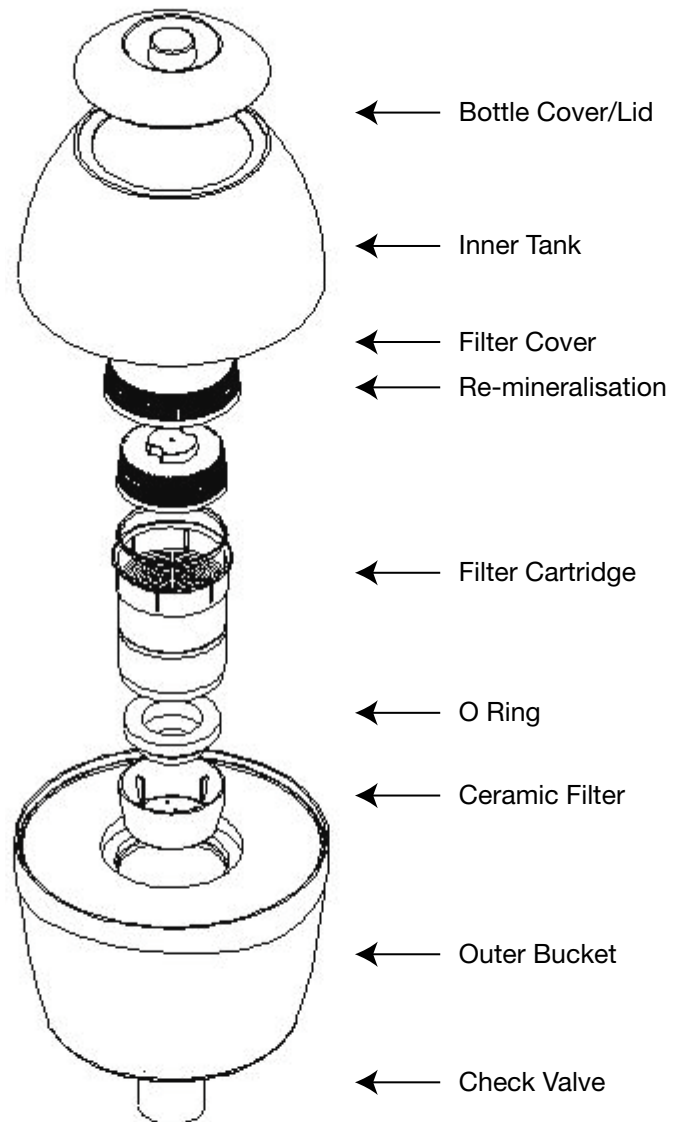
WEIGHT

Gross – 3 kg
 Net – 2.3 kg



C-155 FILTER BOTTLE

TRI-STAGE FILTER BOTTLE



DISTRIBUTED BY

OTHER FEATURES

Rated Amount Of Water	Water Flow Capacity	Pressure
2000L	18L/Hr	Normal