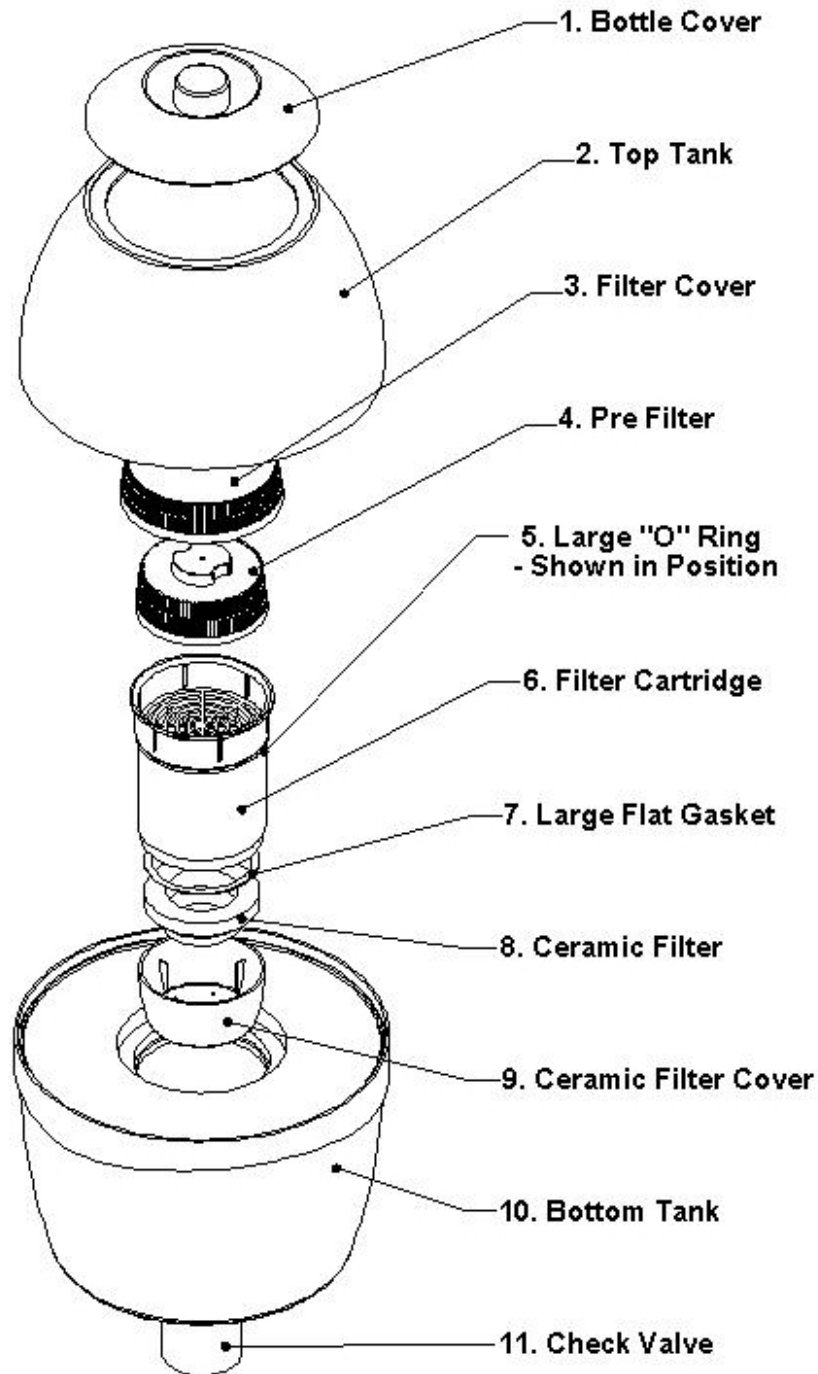


Instruction Manual for Tri-Stage Filter Bottle - Model: C-155





Aqua Cooler Pty Ltd
161 Orchard Road
Chester Hill NSW 2162
Tel: 02 9721 9333 Fax: 02 9721 9344
Email: coolers@aquacooler.com.au, sales@aquacooler.com.au
Web: www.aquacooler.com.au

Operation Guide

1. Remove the cover from the top tank.
2. Remove all packaging and plastic wrap from filters.
3. Place the filters in cold water and let them soak for approximately 30 minutes.
4. Wash the bottom and top tanks with soap and cold water before the first use, and regularly thereafter.
5. Slide the large "O" ring onto the filter cartridge from the narrow end until in position shown in picture.
6. Insert narrow end of filter cartridge from the hole in the top tank into the hole in the flat bottom of the top tank.
7. Place the pre-filter on top of this. The filter cover holds this in place by turning clockwise until locked.
7. Upend the assembly; place the large flat gasket on the bottom of the filter before fitting the Ceramic Filter and its cover
8. Fit the top and bottom sections together and fit the check valve to the base of the bottom tank (ONLY DO UP FINGER TIGHT).
9. Fill the top tank completely with water and wait until the filtered water has collected in the bottom tank. Empty the bottom tank and repeat this step again. Upon filling the top tank for the third time, replace the lid and enjoy a glass of freshly filtered water.

When to Change Your Filters

It is important to change your filters before they are exhausted. It is recommended you replace your filters every 3 months for commercial use and every 6 months for domestic use. The filters are certified for 2000L.

Cleaning Your Water Filtration System

The outside of the water filtration system can be wiped with a damp cloth at any time. When the Multi-level filter is being replaced, you should rinse out the top and bottom tanks.

IMPORTANT! NOT DISHWASHER SAFE.

Being Away For Extended Periods of Time

When not using the water filtration system for more than a week or if you are going on vacation, always drain out any residual water when ready to start using again. Never empty the bottom tank before going away as the multi-level filter system will dry out.

Useful Tips & Precautions

1. Never filter hot water or use it to clean your filters.
2. Never remove the water filtration system to fill at the sink; always use a jug to fill.
3. This unit is not dishwasher safe.
4. Water filtering speed can become a little slow when the quantity of water in the bottom tank increases. A dirty ceramic disk may also cause a decrease in speed.
5. Keep your unit in a dry place and out of direct sunlight.
6. Please make sure to clean the top and bottom tank regularly to avoid dirt and calcium build-up.
7. Should filter leak once installed. Refer back to step (8). Ensure check valve has not been over tightened.